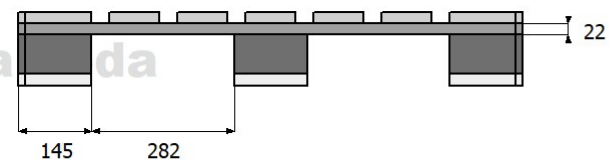
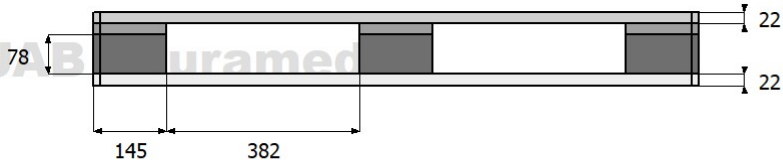


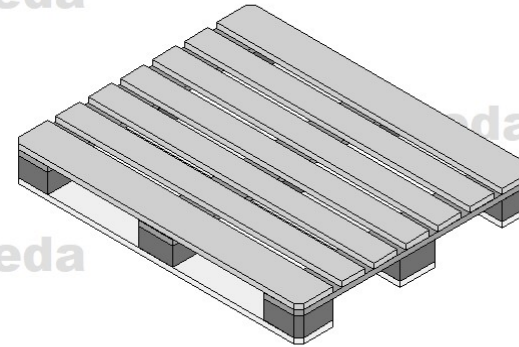
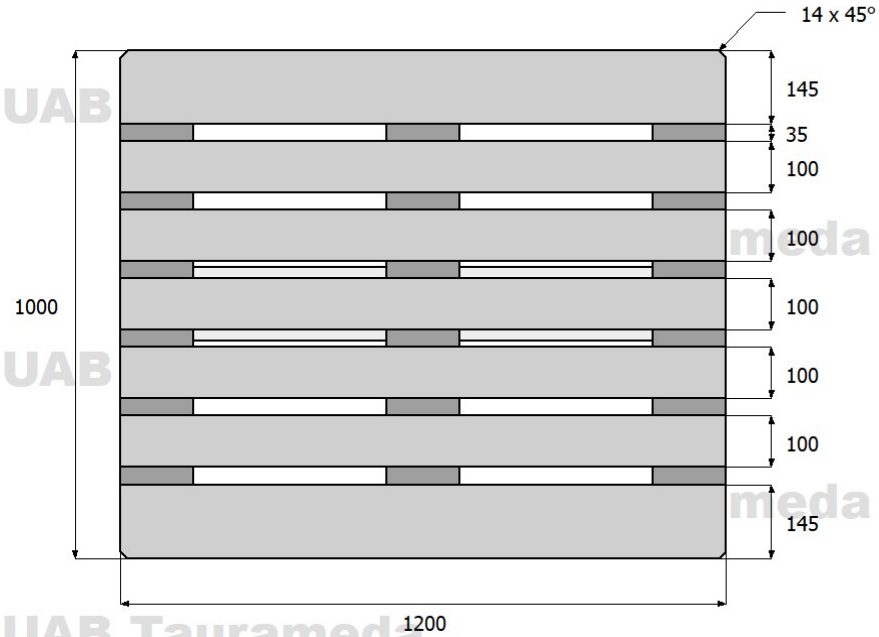
UAB Taurameda

UAB Taurameda



UAB Taurameda

UAB Taurameda



UAB Taurameda
Lengveniai, LT-72101 Taurages r.
Mob.: +370 698 85061

UAB Taurameda

					1200 X 1000 X 144	
Components	Nr.	Lgth.	Wdth.	Thick.	T. Nails:	B. Nails:
Deckboards	2	1200	145	22	T. Rivets:	Weight (kg):
Deckboards	5	1200	100	22	Corner chamfers: YES	Chamfers: NO
Stringerboards	3	1000	145	22	Imbricated: NO	Strip:
Bottomboards	3	1200	145	22	Marking:	
Blocks	9	145	145	78	Nr. of pl/pile: 0	Pile Height: 0
					Max. Load:	Wood Density: 0
					Accreditation:	Treatment:
					Various:	
Scale: 1/15		Date: 2023-10-23		Designer:		

This document is the property of UAB Taurameda. it can not be neither reproduced, nor distributed without autorisation

UAB Taurameda