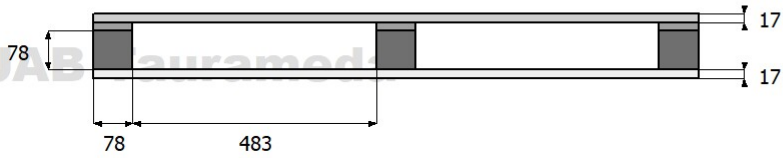
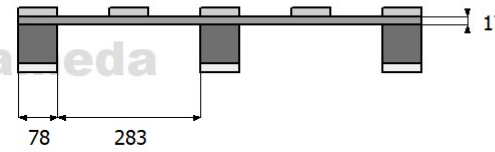


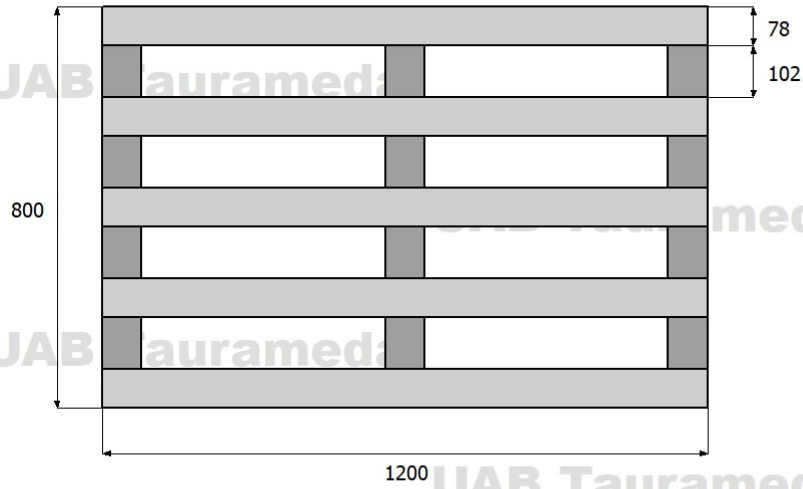
UAB Taurameda



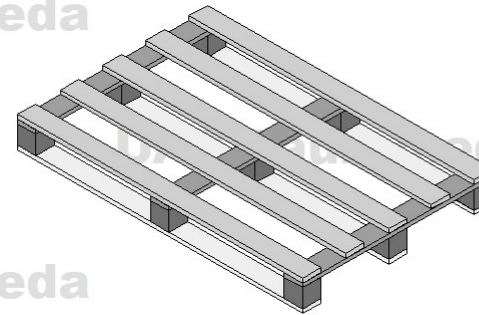
UAB Taurameda



UAB Taurameda



UAB Taurameda



UAB Taurameda
Lengveniai, LT-72101 Taurages r.
Mob.: +370 698 85061

					1200 X 800 X 129	
Components	Nr.	Lgth.	Wdth.	Thick.	T. Nails:	B. Nails:
Deckboards	5	1200	78	17	T. Rivets:	Weight (kg):
Stringerboards	3	800	78	17	Volume:	Corner chamfers: NO
Bottomboards	3	1200	78	17	Imbricated: NO	Chamfers: NO
Blocks	9	78	78	78	Marking:	Strip:
					Nr. of pl/pile: 0	Pile Height: 0
					Max. Load:	Wood Density: 0
					Accreditation:	Treatment:
					Various:	
Scale: 1/15		Date: 2023-08-17		Designer:		

This document is the property of UAB Taurameda. it can not be neither reproduced, nor distributed without autorisation