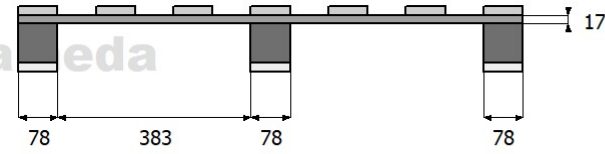
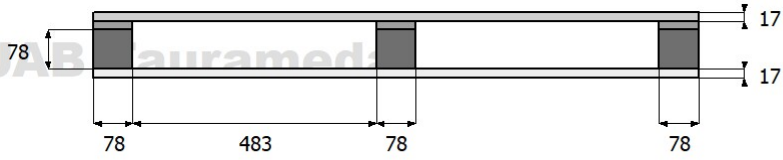


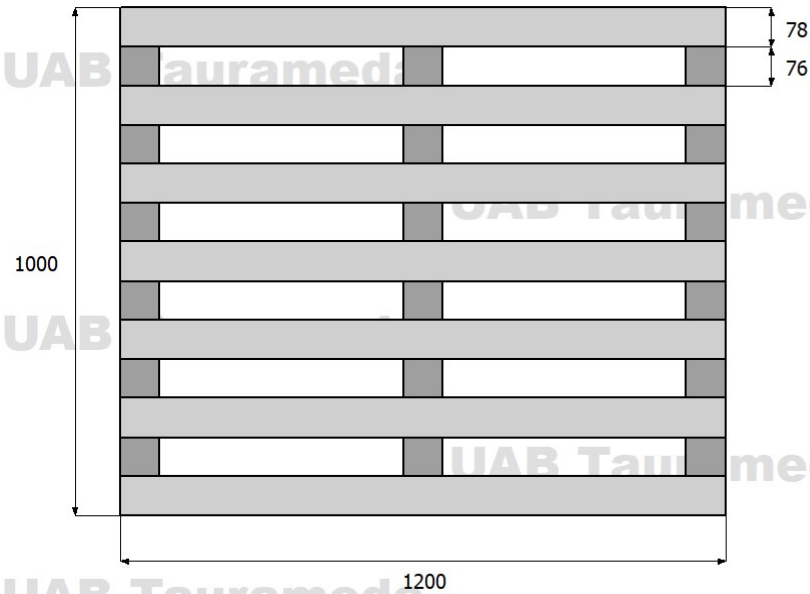
UAB Taurameda

UAB Taurameda



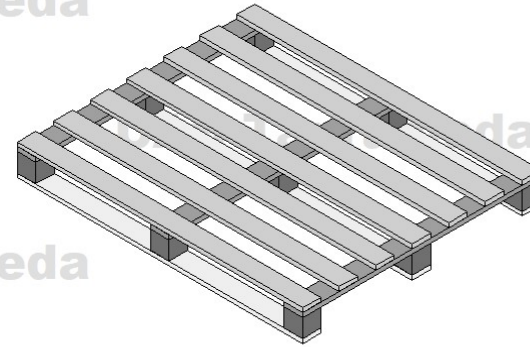
UAB Taurameda

UAB Taurameda



UAB Taurameda

UAB Taurameda



UAB Taurameda

UAB Taurameda

UAB Taurameda

UAB Taurameda
Lengveniai, LT-72101 Taurages r.
Mob.: +370 698 85061

UAB Taurameda

UAB Taurameda

1200 X 1000 X 129

Components	Nr.	Lgth.	Wdth.	Thick.	T. Nails:	B. Nails:
Deckboards	7	1200	78	17	T. Rivets:	Volume: 0,02416
Stringerboards	3	1000	78	17	Corner chamfers: NO	Weight (kg): 15,705
Bottomboards	3	1200	78	17	Imbricated: NO	Chamfers: NO
Blocks	9	78	78	78	Marking:	Strip:
					Nr. of pl/pile: 0	Pile Height: 0
					Max. Load:	Wood Density: 0,65
					Accreditation:	Treatment:
					Various:	
Scale: 1/15		Date:2023-08-17		Designer:		

UAB Taurameda

UAB Taurameda

UAB Taurameda

This document is the property of UAB Taurameda. it can not be neither reproduced, nor distributed without autorisation

UAB Taurameda

UAB Taurameda